

CMX-FMCTRX001 10G ETHERNET SFP TRANSCEIVER

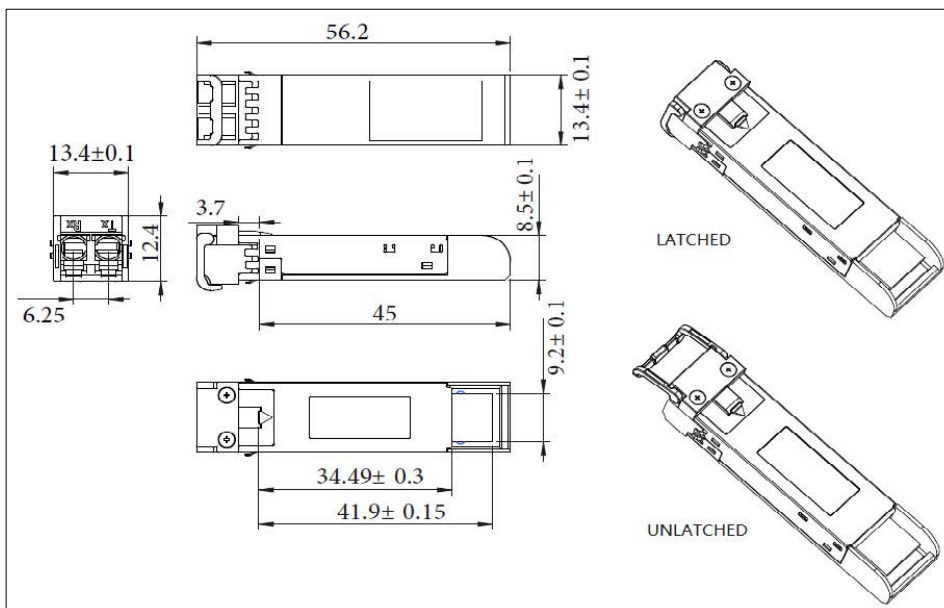
Transmits signals up to 12.43 miles over single mode fiber

Features

- For Point-to-Point Multichannel Routing
- Singlemode Fiber/10G Ethernet
- Duplex LC Connector
- Transmits up to 12.43 miles over Single Mode Fiber
- Hot Swappable
- FCC, CE Certified



Specifications	
Compliant	IEEE 802.3ae, 10G FC 1200-SM-LL-L, SFF-8431, RoHS
Bit Rates	9.83Gb/s to 11/3Gb/s
Transmitter/Wavelength	1310nm
Transmission Distance	12.43 miles single mode fiber
Input Voltage	3.46VDC max
Current	285mA
Operating Temperature	0°C to 70°C
Storage Temperature	-40° to 85°C
Dimensions	2.75 x 0.50 x 0.25 inches



ALL DIMENSIONS ARE ±0.2mm UNLESS OTHERWISE SPECIFIED, UNIT: mm

