

CAMERA CONNECTOR SYSTEM

INNOVATIVE SOLUTIONS

DRAGONFLY

opticalCON®



NEUTRIK®



DRAGONFLY

opticalCON®



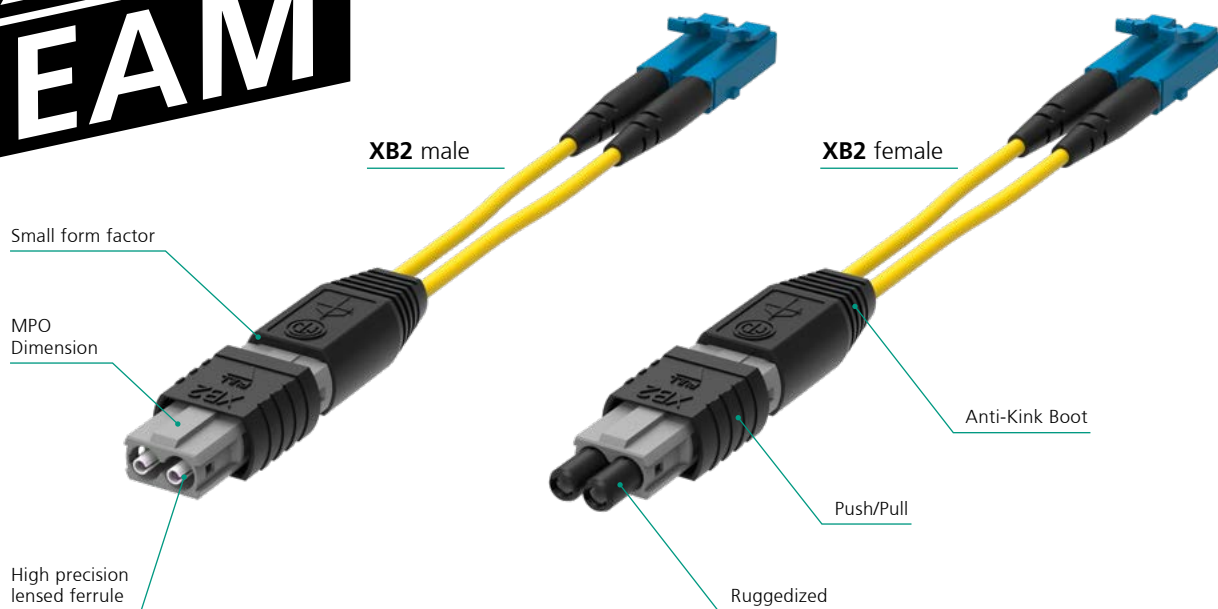


CAMERA CONNECTOR

Neutrik's new fiber optic connector series offers advanced lens technology for the Broadcast and AV Market. DRAGONFLY is more robust, reliable and easier to maintain than common hybrid camera signal transmission systems. With technology based on fiber lenses and fusion splicing, Neutrik's DRAGONFLY achieves an extremely robust signal with minimal loss. opticalCON DRAGONFLY combines all the advantages of lens technology and makes it competitive with physical contact connectivity.

The DRAGONFLY connector offers long life with very low maintenance. It can also withstand harsh and demanding environments and is dust and moisture insensitive. Additionally, DRAGONFLY is robust against vibration and therefore has low potential for damage. And if there ever is a problem, DRAGONFLY is field repairable. With this new technology, DRAGONFLY provides a complete solution for the Broadcast and AV Market.

CORE TECHNOLOGY EXPANDED BEAM

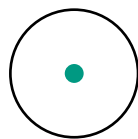


DRAGONFLY is based on the patented XB2-Technology. Its innovative fusion splice high-performance lens transmits UHD 4K and 8K signals with very low loss as the signal surface of the

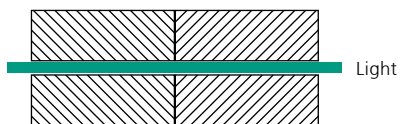
XB2 lens is 322 times bigger than physical contact surfaces. This further results in low insensitivity against dust and dirt.

STANDARD PHYSICAL CONTACT

Single Mode

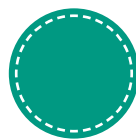


$\varnothing = 9 \mu\text{m}$
 $A = 64 \mu\text{m}^2$
 Factor A = 1



XB2 LENSED SOLUTION

Single Mode



$\varnothing = 162 \mu\text{m}$
 $A = 20.612 \mu\text{m}^2$
 Factor A = 322



DRAGONFLY is a ruggedized and low maintenance hybrid cable connector for indoor and outdoor use.

INNOVATIVE AND FUTURE PROOF

- fusion splice technology – field repairable
- High performance – low loss
- Consistent quality
- 100% reliable even at extreme temperature fluctuations
- Permanent connection

SIMPLE AND EFFICIENT

- hybrid connection – power and data over one connection
- Low maintenance interval
- Easy switching to DRAGONFLY – fits into standardized cutouts
- Easy cleaning with compressed air and water
- Competitive price

ROBUST AND RELIABLE

- Extremely robust system
- Reliable push/pull locking mechanism
- Dust and waterproof according to IP68
- Proven anti-kink boot design
- Long life – 10.000 mating cycles



FEATURES AND BENEFITS

Low maintenance and easy to clean

High performance – low loss



Fusion splice technology – field repairable

hybrid connection – power and data



Dust and waterproof according to IP68 in mated condition

Reliable push/pull locking mechanism



Long life – 10 000 mating cycles

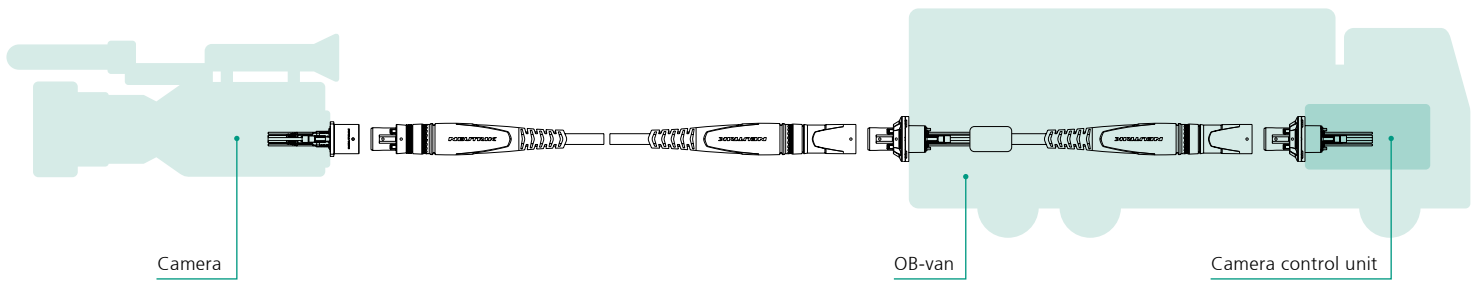
Proven anti-kink boot design



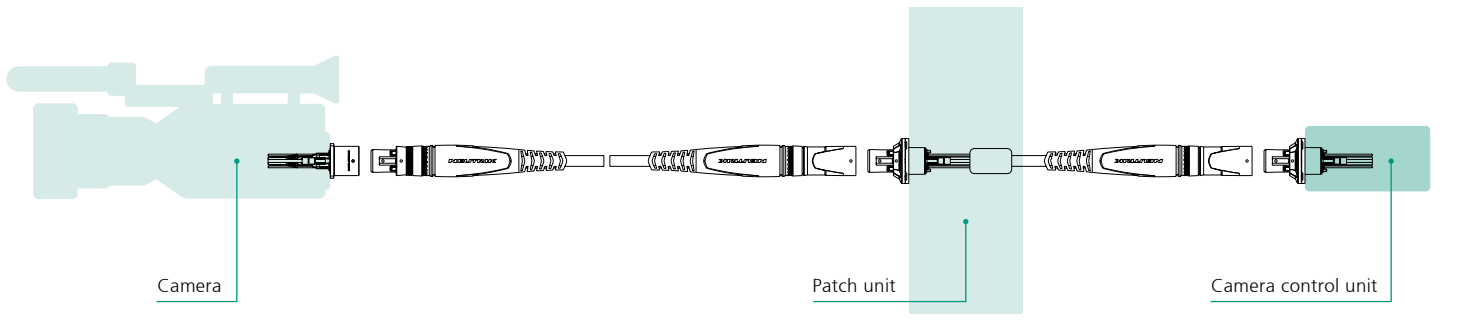
APPLICATION

The opticalCON DRAGONFLY system is the perfect solution for live broadcast productions.

OB CONFIGURATION



STUDIO CONFIGURATION

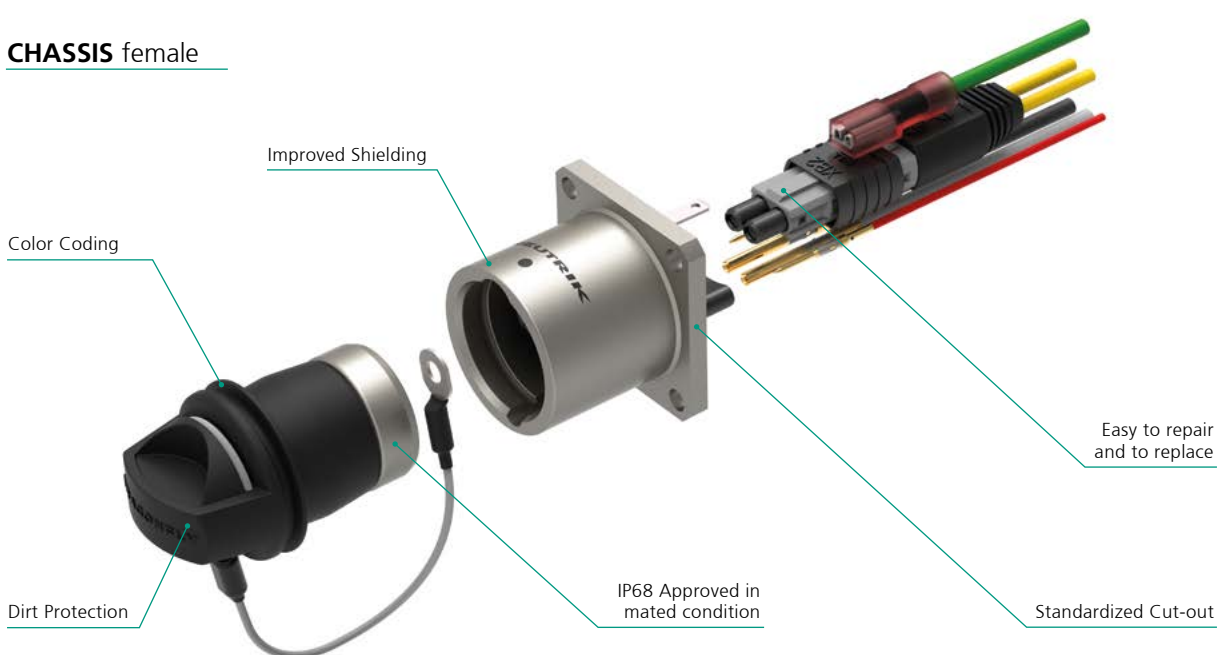


CONCEPT AND DESIGN

CABLE CONNECTOR male



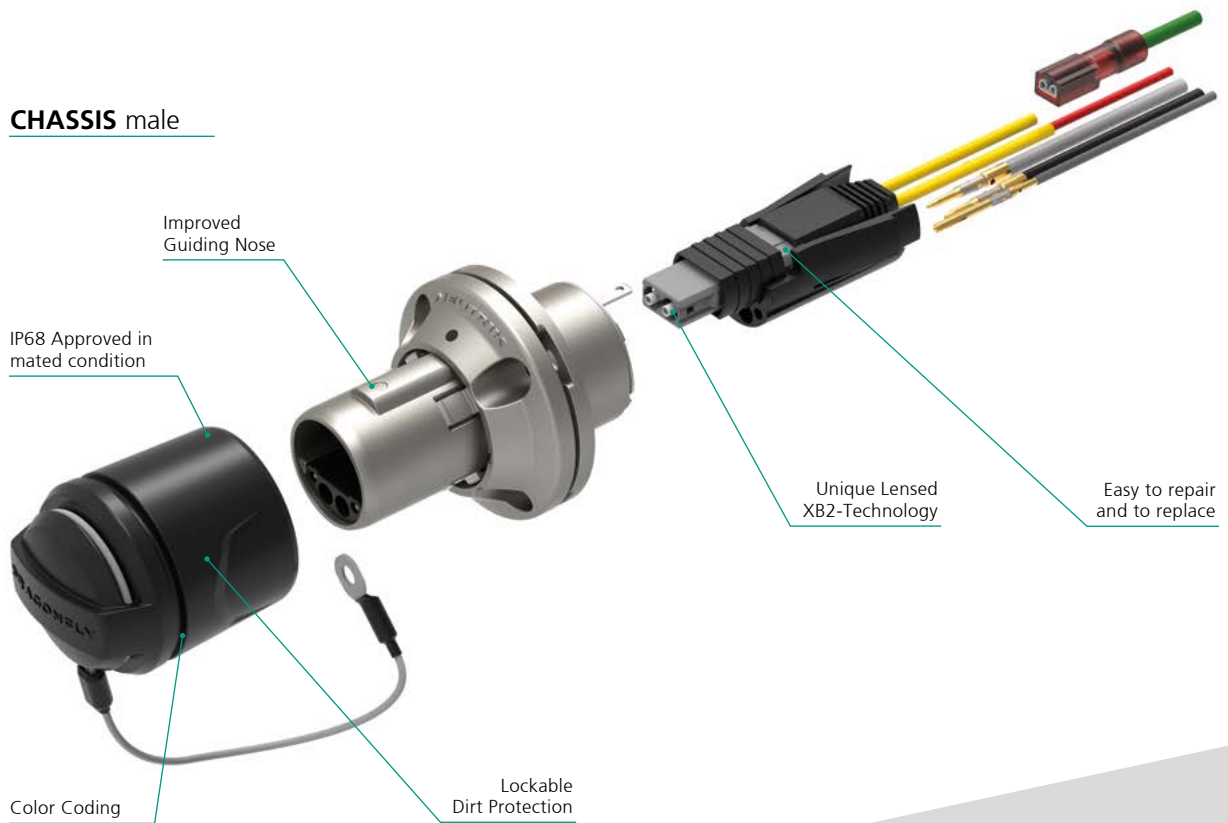
CHASSIS female



CABLE CONNECTOR female



CHASSIS male



TECHNICAL DATA

OPTICAL SPECIFICATIONS

Insertion Loss	Typical 0.6 dB per connection / Maximum 1 dB per connection
Return Loss	Typical 45 dB / Minimum 40 dB
Wavelengths	SM: 1310 nm / 1550 nm
Compatible fiber types	SM: 9/125-G657A2
Operation Temperature	-40 °C to +75 °C
Termination	Fusion Splice
WDM Compatibility	Yes

MECHANICAL SPECIFICATIONS – DRAGONFLY

Strain relief	> 500 N
Insertion force	< 45 N
Withdrawal force	< 45 N
Locking device	Push / Pull
Locking force	> 900 N
Lifetime	10.000 mating cycles
Anti-Kink protection	Identical to proven opticalCON ADVANCED
Wiresize	2 x 24 AWG + 4 x 20 AWG
Cable	Standard SMPTE 311 Cable ø 9.2 mm

ELECTRICAL SPECIFICATIONS – DRAGONFLY

Mains	240 V ac / 10 A / 50 Hz
	120 V ac / 10 A / 60 HZ
	300 V dc / 7A
Sense	42 V ac peak / 1-3 A / ≤ 1 kHz
	60 V dc / 1-3 A
Contact resistance	< 7 mΩ
Transfer resistance ground	< 10 mΩ
Insulation Resistance	> 10 GΩ

ENVIRONMENTAL

Flammability	UL94 V-0
Protection Class	IP68 (with sealing Kit SCXP-*) in mated condition
Certification according to	IEC 62368-1 :2014
	IEC 60529
	UL 1977 :2019
	CSA C22.2 No. 182.3 :2016
	UL50E Type 4



DRAGONFLY

opticalCON®

LIECHTENSTEIN (HEADQUARTERS)

Neutrik AG, Im alten Riet 143,
9494 Schaan, Liechtenstein
T +423 237 24 24, F +423 232 53 93, neutrik@neutrik.com

CHINA

Ningbo Neutrik Trading Co., Ltd., Shiqi Street, Yinxian Road West
Fengjia Villiage, Hai Shu District, Ningbo, Zhejiang, 315153
T +86 574 88250833, sales@neutrik.com.cn

HONG KONG

Neutrik Hong Kong LTD., Suite 18,
7th Floor Shatin Galleria Fotan, Shatin
T +852 2687 6055, sales@neutrik.com.hk

JAPAN

Neutrik Limited, Yusen-Higashinohonbashi-Ekimae Bldg., 3-7-19
Higashinohonbashi, Chuo-ku, Tokyo 103
T +81 3 3663 47 33, mail@neutrik.co.jp

INDIA

Neutrik India Pvt. Ltd., Level 3, Neo Vikram, New Link Road,
Above Audi Show Room, Andheri West, Mumbai, 400053
T +91 982 05 43 424, anklesaria@neutrik.com

USA

Neutrik USA Inc., 4115 Taggart Creek Road,
Charlotte, North Carolina, 28208
T +1 704 972 3050, info@neutrikusa.com

GERMANY / NETHERLANDS / DENMARK / AUSTRIA

Neutrik Vertriebs GmbH, Felix-Wankel-Straße 1,
85221 Dachau, Germany
T +49 8131 28 08 90, neutrik@neutrik.de

FRANCE

Neutrik© France, 52 Rue d'aguesseau,
92100 Boulogne
T +33 1 41 31 67 50, info@neutrik.fr

GREAT BRITAIN

Neutrik (UK) Ltd., Westridge Business Park, Cothey Way Ryde,
Isle of Wight PO33 1 QT
T +44 1983 811 441, sales@neutrik.co.uk

ASSOCIATED COMPANIES

Contrik AG, Steinackerstrasse 35, 8902 Urdorf, Switzerland
T +41 44 736 50 10, contrik@contrik.ch

H. Adam GmbH, Felix-Wankel-Straße 1, 85221 Dachau, Germany
T +49 08131 28 08-0, anfrage@adam-gmbh.de

opticalCON® DRAGONFLY - 2020/03 V5 - NF25 - Data subject to change without prior notice. © 2020 NEUTRIK®.
NEUTRIK®, opticalCON® are registered trademarks of Neutrik AG. ALL RIGHTS RESERVED.



www.neutrik.com